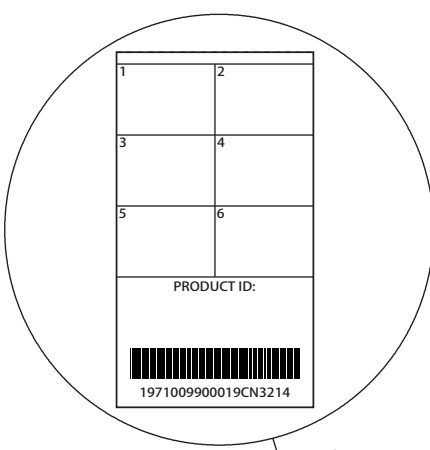
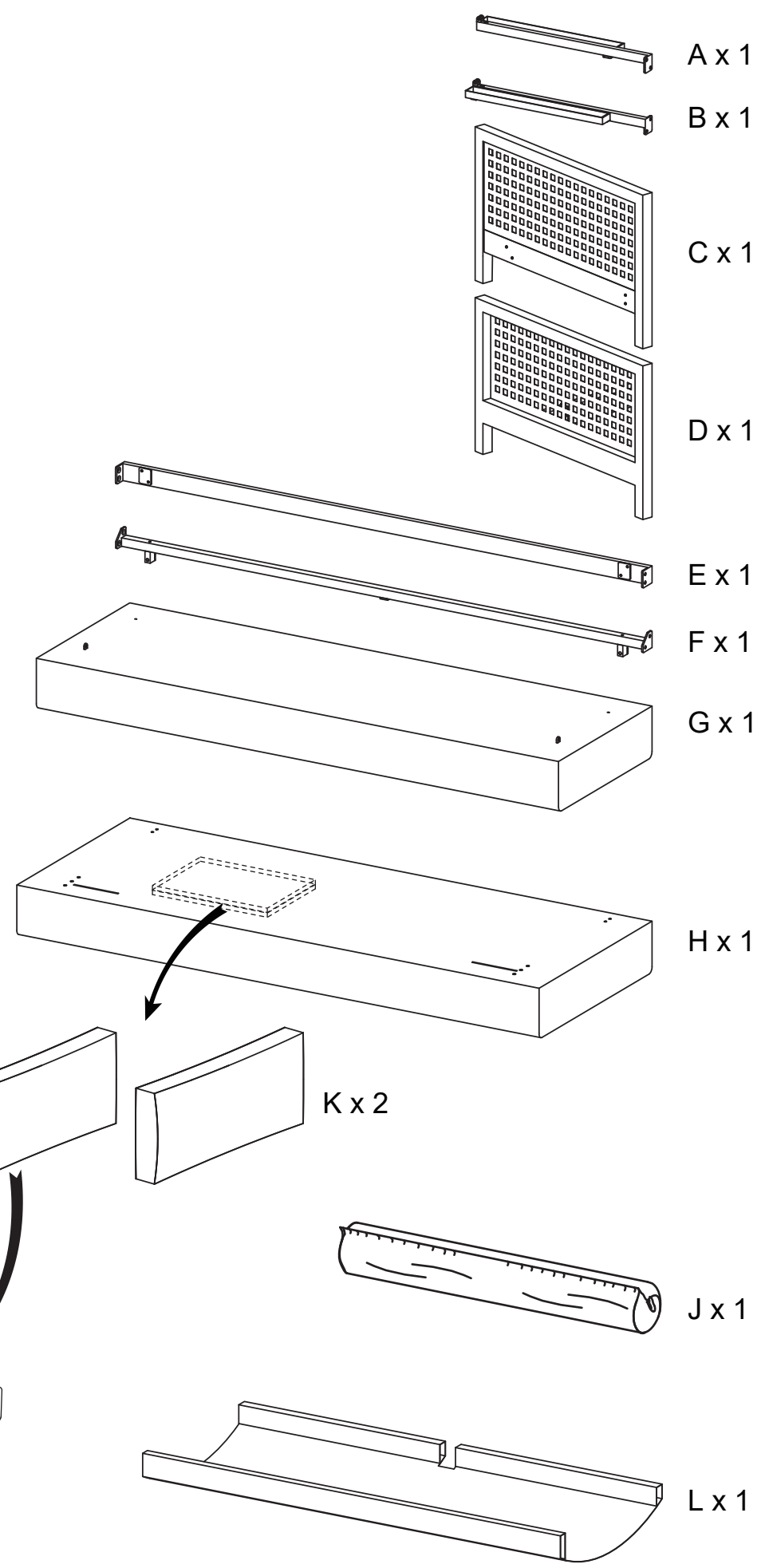
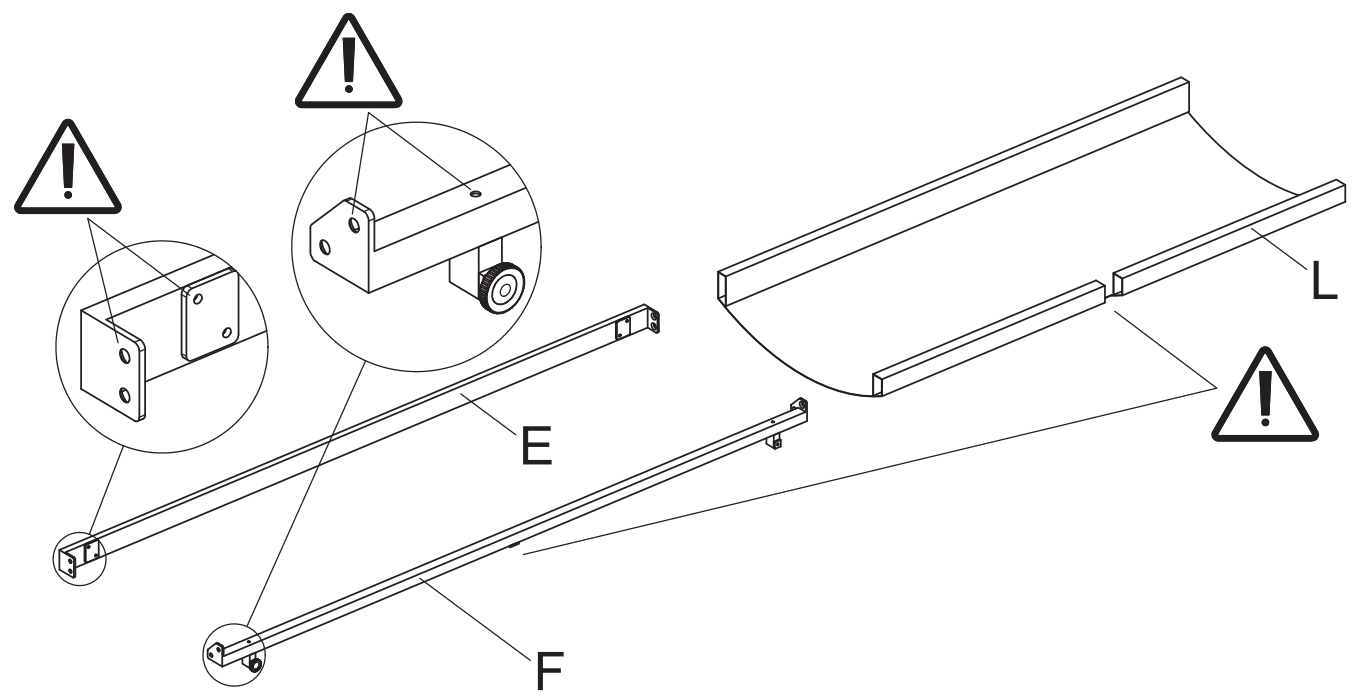


069137

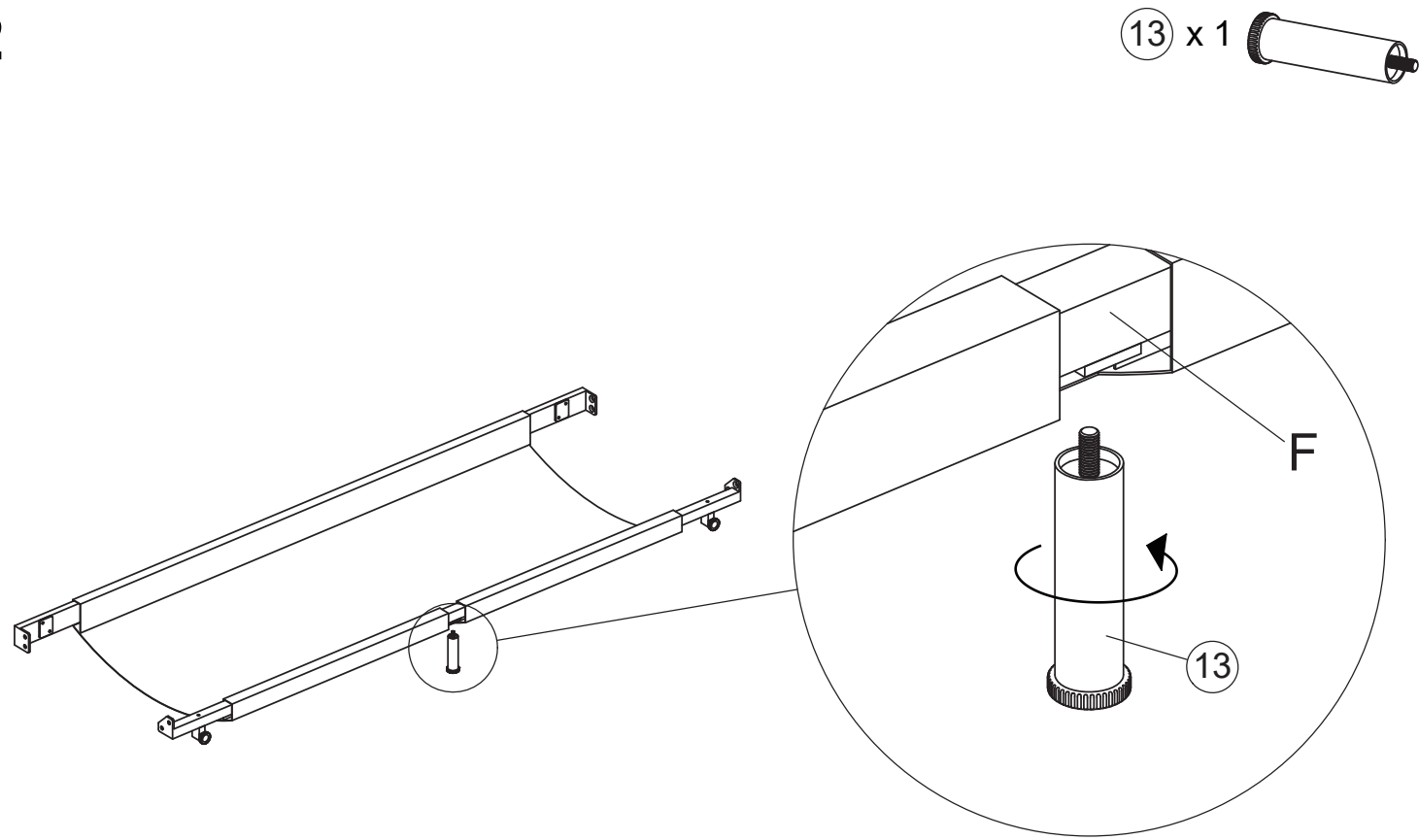
- ① x 4
- ② x 12
- ③ x 2
- ④ x 2
- ⑤ x 2
- ⑥ x 2
- ⑦ x 4
- ⑧ x 1
- ⑨ x 1
- ⑩ x 1
- ⑪ x 2
- ⑫ x 2
- ⑬ x 1

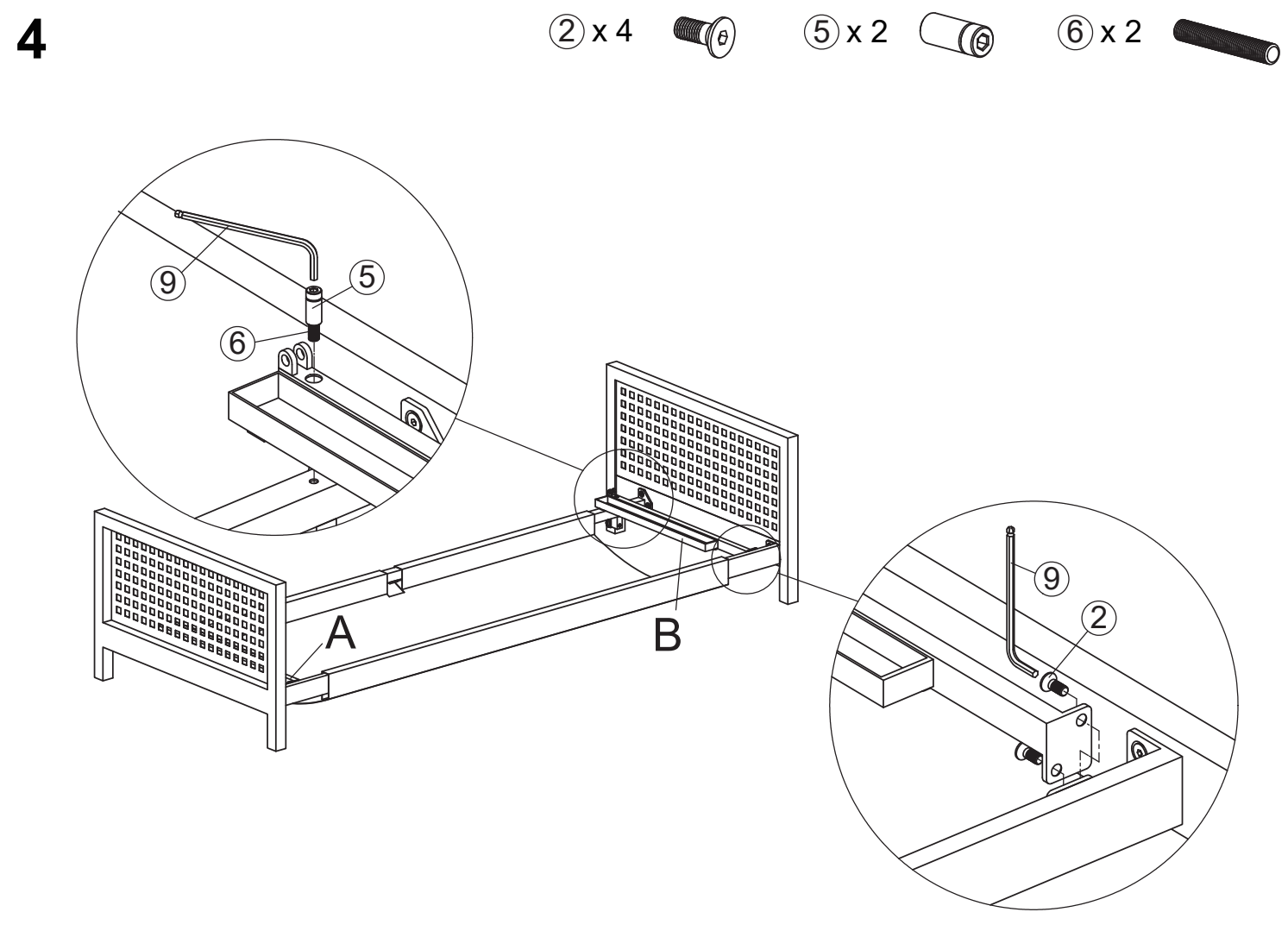
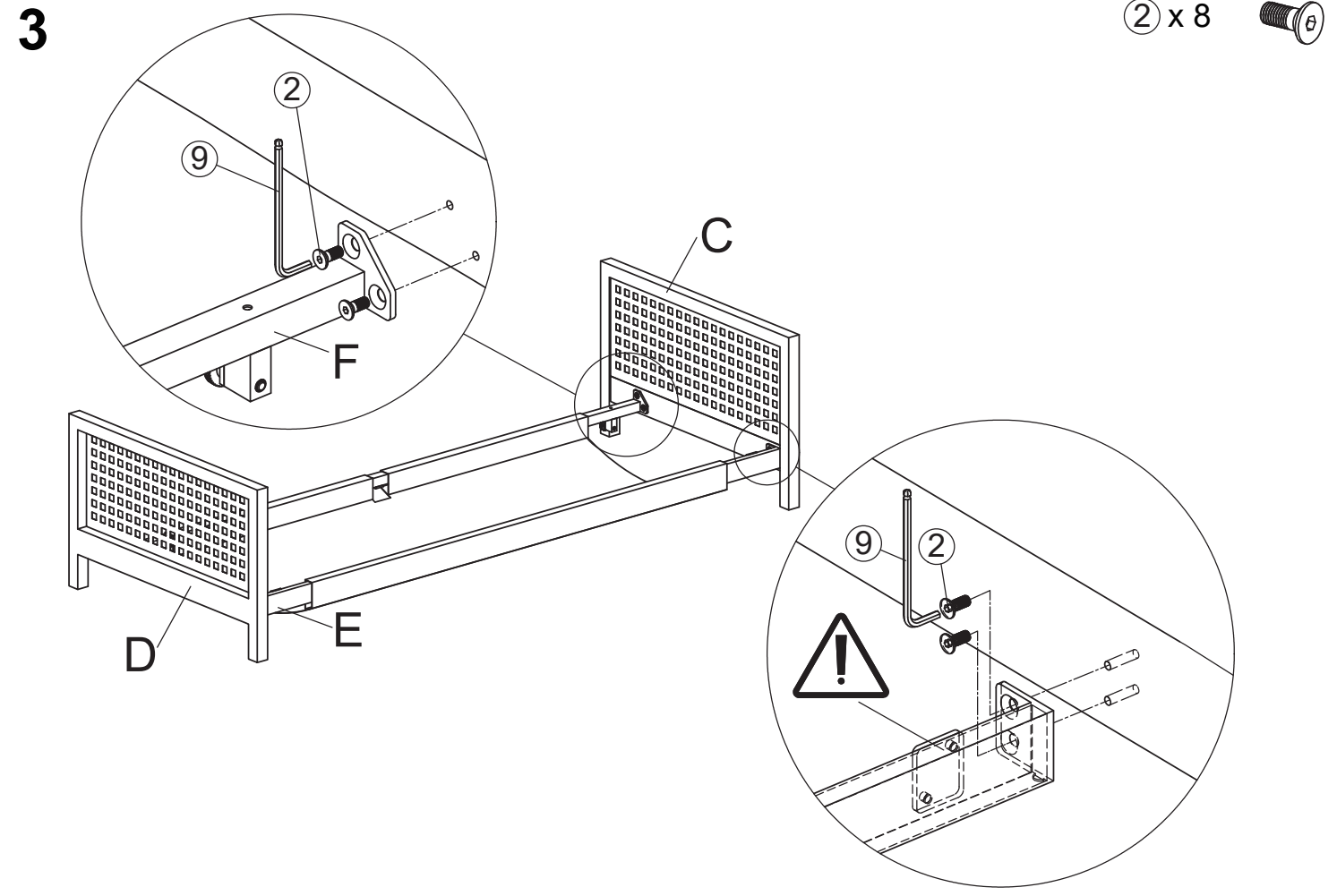


1



2





7

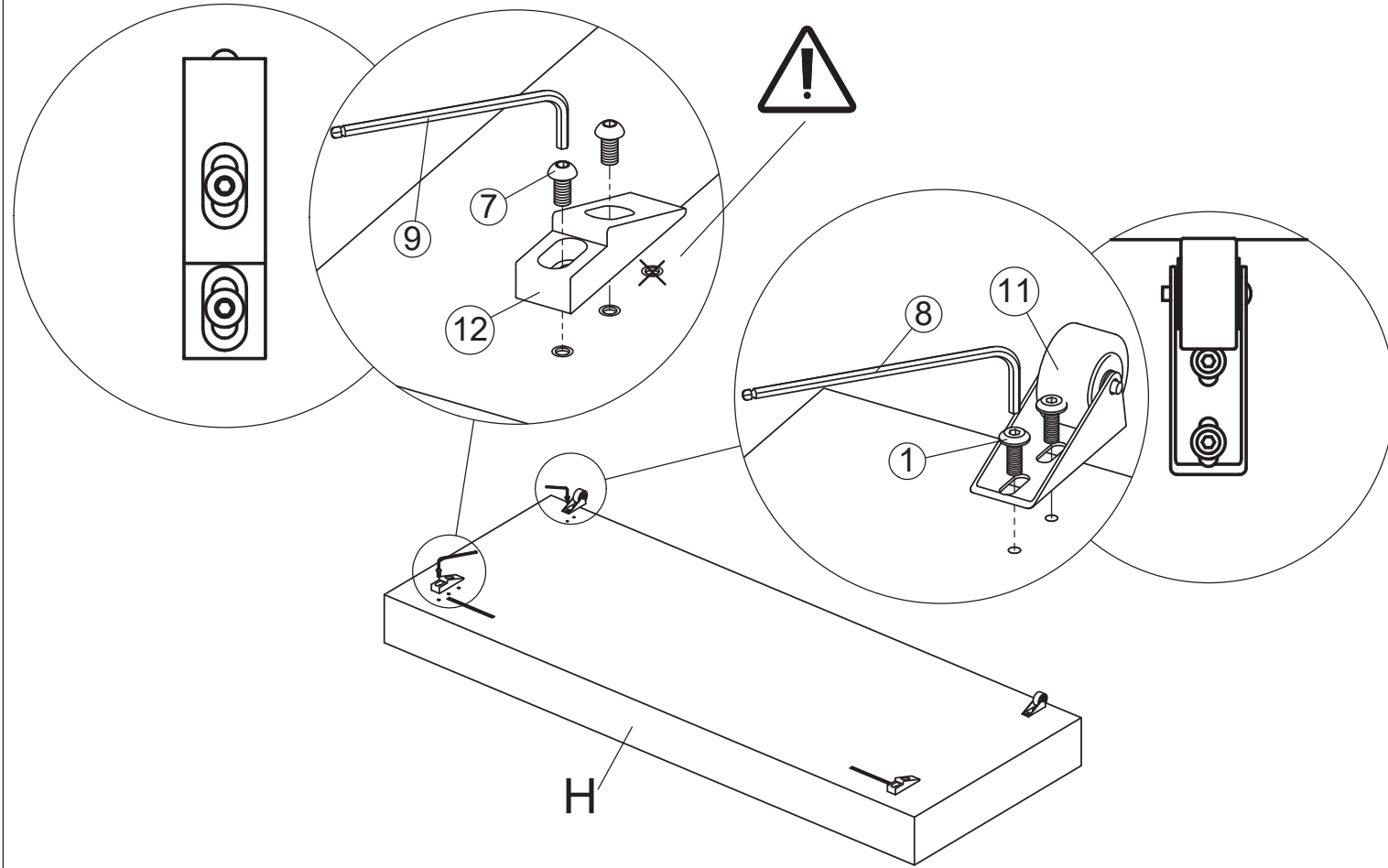
① x 4

⑦ x 4

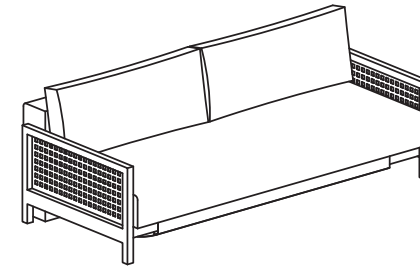
⑪ x 2

⑫ x 2

069137

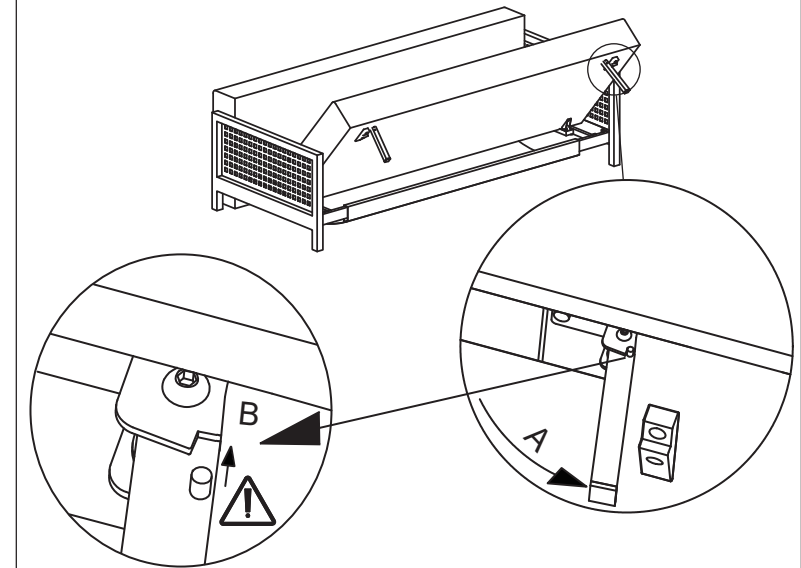


1

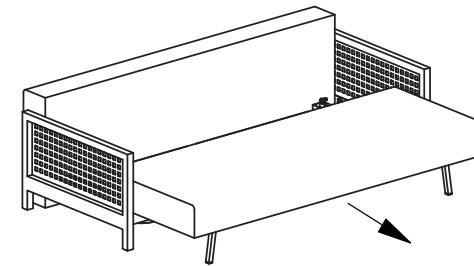


SIDDE-SITZEN-SIT-ASSISE

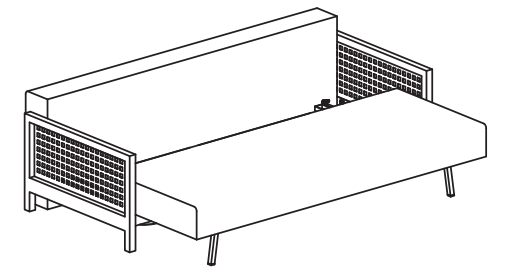
2



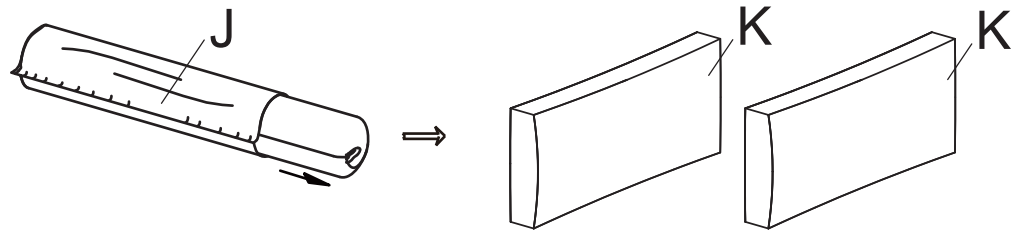
3



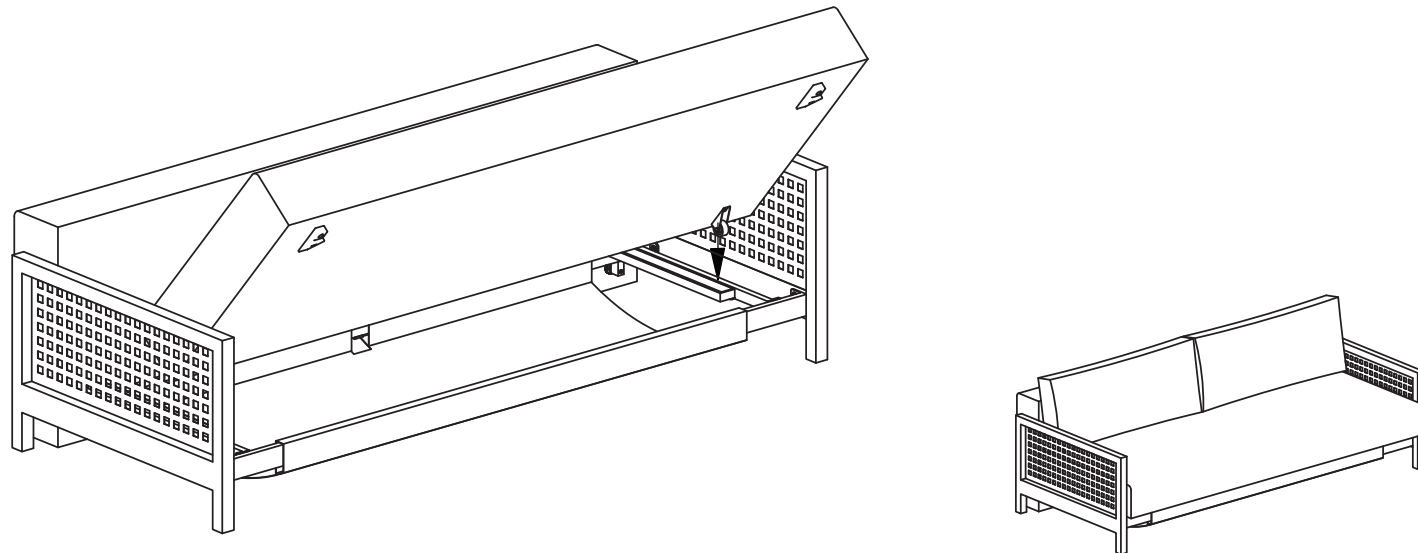
4



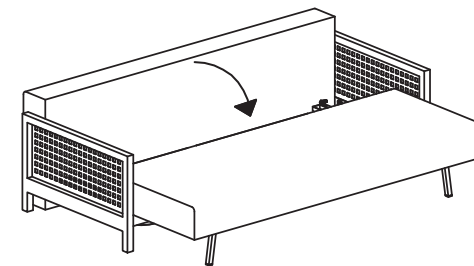
8



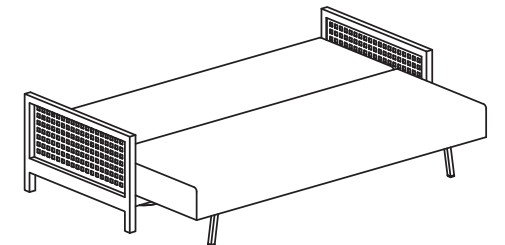
9



5



6



SOVE-SCHLAFEN-SLEEP-DORMIR